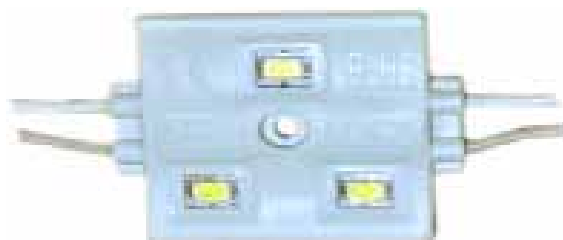


## ARL-LM5730-3 Cool White



### SUMMARIZATION:

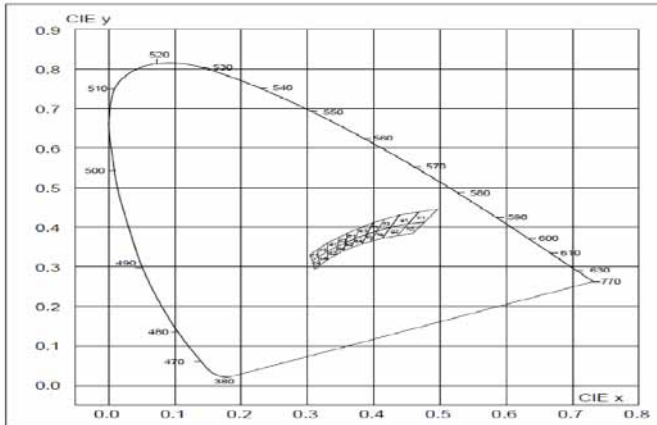
ARL-LM5730-3 Injection waterproof Module is the newest waterproof Module designed by our company. Which adopt high brightness, large viewing angle and good consistency SMD5730 LED as light source.

The light source adopts silica gel material package, high efficiency, working 1000Hrs at rated working condition without light fades, Lifespan is 50000Hrs. Working voltage is DC12V, built-in constant-current circuit, safe for using. Low power consumption, long service life, no need to maintenance. Anti-static, anti UV, flame-retardant engineering plastics shell, strong weather resistance, no change of color. Beautiful, generous, elegant high-end. Widely used in advertising decoration, indoor decoration, scenic tour indoor and outdoor environments, Can adapt to different temperature and humidity, the good quality materials guarantee the goods will not be damaged during the transportation and installation process.

### TECHNICAL PARAMETERS:

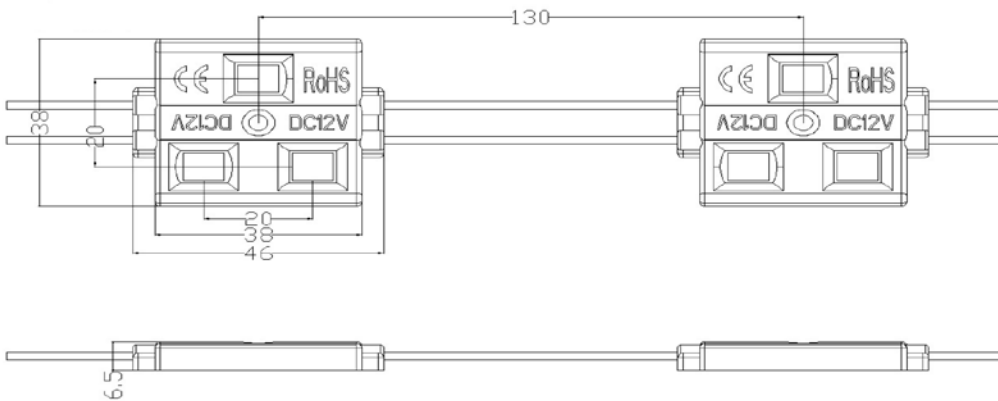
Parameter		Value
LED type		5730 Cool White
LED quantity		3pcs
Viewing angle (2θ1/2)		≥140°
Lifespan		50 000h
Luminous flux (lm)		100-120
Wavelength range (m or K)		9000 ~ 12000
Electric Parameter	Working Voltage	DC12V
	Power	1.2W
Driving way		Constant current circuit driver
Connect		UL1007 20#line ,Gray and white line,Gray line is Anode, White line is Negative electrode. The cable length is 100mm
Standard connection number		20pcs
The biggest characteristic of cascade		≤20pcs
Out look	Shell	Anti static anti UV PVC+PC cover.
	Dimension	46*38*6.35mm
	Color	beige
Fixed Method:	Screw	M3*15 Screw
	Tape	Tape3M Tape
Environmental parameters	working temperature	-40°C ~ +60°C
	Storage temperature	-50°C ~ +80°C
	Storage environment	Indoor ventilation, air should be with no corrosive gas, and avoid direct sunlight.
	IP rank	IP65

## COLOR COORDINATES FIGURE:

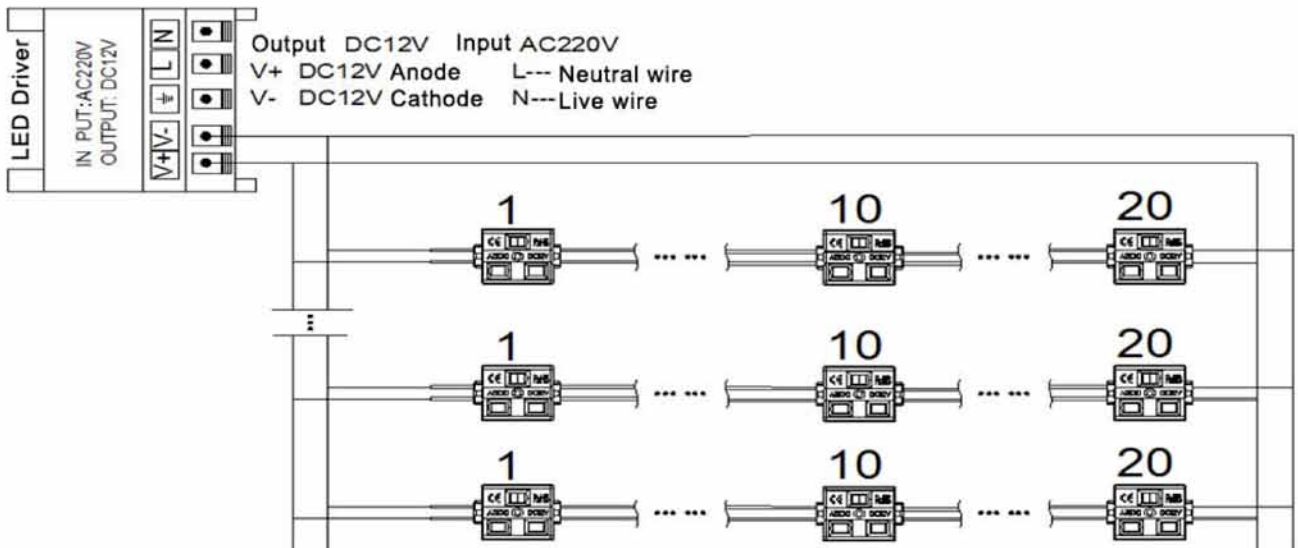


**Note:** this map all color coordinate values of tolerance:  $\pm 0.02$ . CIE 1931 standard observer.

## SIZE (mm):



## INSTALLATION METHOD (unit: mm):



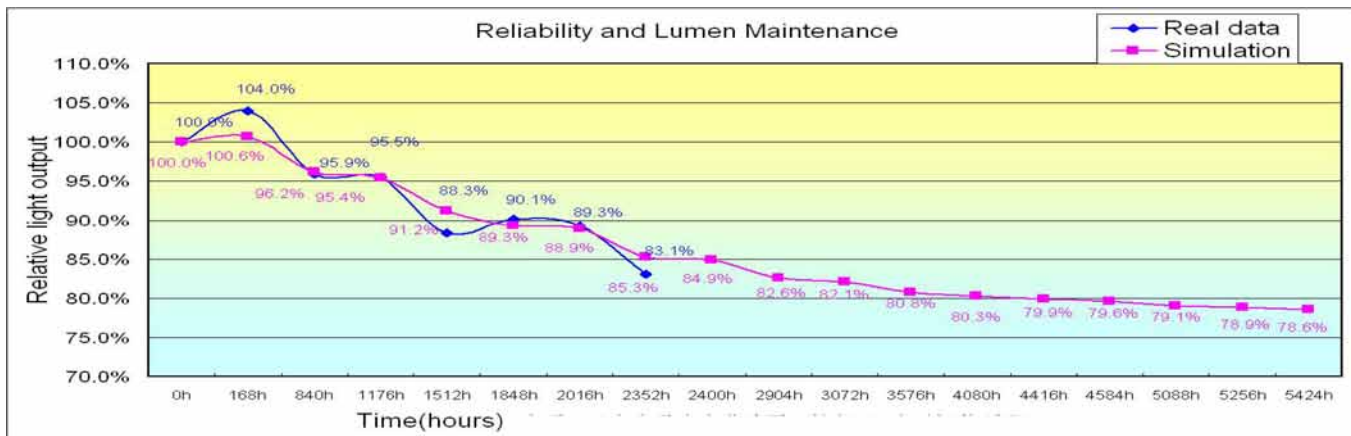
## INSTRUCTION:

- The dimension of the wire is based on the following conditions:
  - The possible maximum current
  - Power Consumption
  - Length of wire (Max: 5 meters)
  - The loss of Low-voltage transmission
- The maximum connecting quantity: 20pcs.
- Outlet of the module should be treated with good waterproof.

## INSTRUCTION:

4. Static touching / static working are prohibited.
5. Recommend the use of switching power supply (with a short-circuit overvoltage, overload and past the Safety certification).
6. Collision, Extruding and over buckling are prohibited.
7. The installation place should be flat, clean and dry.
8. During the transportation, they are could not be exposed to the rain and technical vibration.
9. The working environment of the power supply and control must be in a good ventilation and dry air.
10. Generally, the switching power supply should only used 80-90% of the power
11. Please make sure gray wire connect the anode, white wire connect the negative.

## LUMENS DEPRECIATION PICTURE:



## WARNING:

- **Please do not connect power supply when the light is still in box.**
- **Please do not connect high voltage before installation, and make sure that the fixture connect earth.**
- **Change the protection cover completely if it was broken.**
- **Pay attention to anti-fire, anti-electricity and anti-shake.**
- **Please kindly read the instructions before installation, and keep it well for your future reference.**

## NOTICE:

- Please kindly read the instructions before installation, and keep it well for your future reference.
- Caustic or dissolved chemicals may damage the protection crust.
- Normal working temperature :  $-40^{\circ}\text{C} \sim +60^{\circ}\text{C}$ , if overrun the range, it will effect the lifespan of lamp. Storage temperature is  $-50^{\circ}\text{C} \sim +80^{\circ}\text{C}$
- We will takes no responsibility, Bad consequences made by some components which are not provided by our company

## PACKING (mm):



20pcs / string;      100pcs / bag  
 Net Weight for a single module:      14.6g  
 Antistatic bag dimension:      230\*330\*0.075mm