

OSY5CA5111P

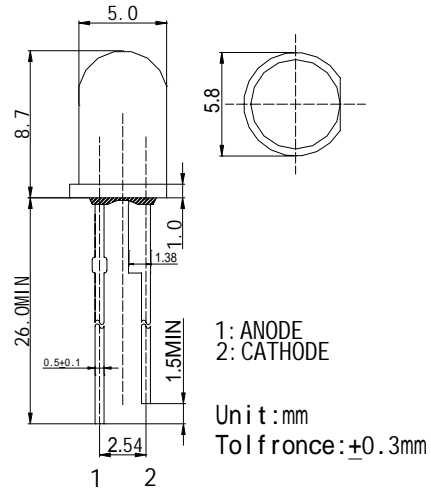
■Features

- High Power LEDs
- 5ø Standard Directivity
- Superior Weather-resistance
- UV Resistant Epoxy
- Water Clear Type

■Applications

- Automotive Dashboard Lighting
- Back Lighting

■Outline Dimension

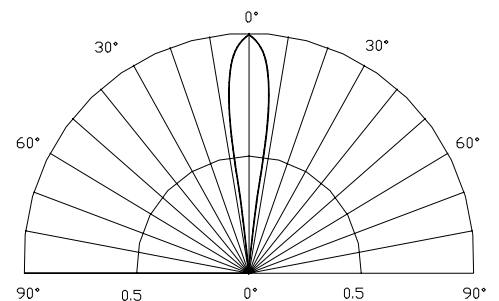


■Absolute Maximum Rating (Ta=25 °C)

| Item | Symbol | Value | Unit |
|----------------------------|-----------|------------|------|
| DC Forward Current | I_F | 100 | mA |
| Pulse Forward Current* | I_{FP} | 150 | mA |
| Reverse Voltage | V_R | 5 | V |
| Power Dissipation | P_D | 500 | mW |
| Operating Temperature | T_{opr} | -30 ~ +80 | |
| Storage Temperature | T_{stg} | -30 ~ +100 | |
| Lead Soldering Temperature | T_{sol} | 260 /3sec | - |

*Pulse width Max.10ms Duty ratio max 1/10

■Directivity



■Electrical -Optical Characteristics (Ta=25 °C)

| Item | Symbol | Condition | Min. | Typ. | Max. | Unit |
|--------------------|-----------------|------------|-------|-------|-------|---------|
| DC Forward Voltage | V_F | $I_F=75mA$ | 1.8 | 2.2 | 2.6 | V |
| DC Reverse Current | I_R | $V_R=5V$ | - | - | 10 | μA |
| Domi. Wavelength | λ_D | $I_F=75mA$ | 580 | 585 | 590 | nm |
| Luminous Intensity | I_v | $I_F=75mA$ | 30000 | 50000 | 70000 | mcd |
| 50% Power Angle | $2\theta_{1/2}$ | $I_F=75mA$ | - | 15 | - | deg |