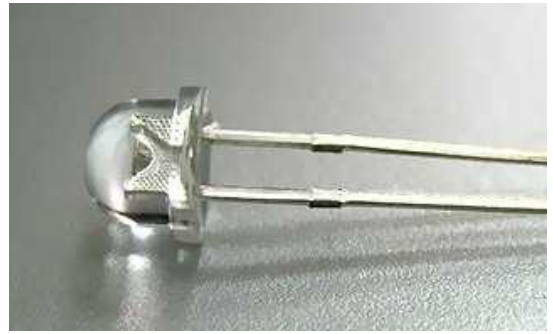


ARL2-5053UWC-2 (2.0cd)

FEATURES

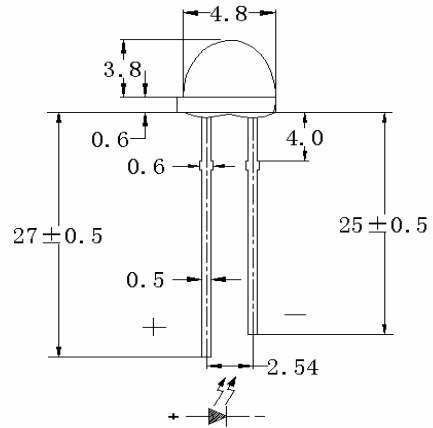
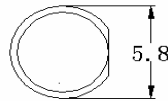
- High efficiency
- Low Power consumption
- General purpose leads
- Selected minimum intensities
- Available on tape and reel
- Pb free



PACKAGE DIMENSIONS

NOTES

- All dimensions are in millimeters (inches).
- Protruded resin under flange is 1.5mm Max



NOTE: TOLERANCE ±0.2mm

Device Selection Guide

LED Part No.	Chip		Lens Color
	Material	Emitted Color	
ARL2-5053UWC-2 (2.0cd)	InGIN	White	Water clear

Absolute Maximum Rating (Ta=25°C)

Parameter	Symbol	Absolute Maximum Rating	Unit
Peak Forward Current	I_{FPM}	100	mA
Forward Current	I_{FM}	20	mA
Reverse Voltage	V_R	5	V
Operating Temperature	T_{opr}	-25 ~ +85	°C
Storage Temperature	T_{stg}	-40 ~ +120	°C
Lead Soldering Temp (1.6mm from body)	T_{sol}	260 for 3Sec	°C

Electro-Optical Characteristics (Ta=25 °C)

Parameter	Symbol	Min.	Typ.	Max.	Unit	Test Condition
Luminous Intensity	I_v	1500	2000	---	mcd	IF=20mA(Note1)
Viewing Angle	$2\theta_{1/2}$	---	160	---	Deg	(Note 2)
Peak Wavelength	λ_p	---	620	---	nm	IF=20mA
Color temperature		6000	---	8000	k	
Forward Voltage	V_F	3.0	3.6	---	V	IF=20mA
Reverse Current	I_R	<1	10	---	μA	VR=5V